

TeleSwivel® 300 - Adapter for Professional Fleets

The Teleswivel® 300 series was specifically engineered to meet the exact needs of large fleets. Ergonomically designed to reduce injury, the TeleSwivel® has the features and capabilities that will dramatically improve towing efficiency, reduce equipment damage, and speed operations. The 300 series has several optional configurations to meet every fleet's needs. It increases the target zone for connecting truck and trailer by 25x – enabling a single person to connect in a single pass virtually every time. Faster connections and improved worker safety mean better productivity and decreased costs. That's the bottom line.

Operation is as simple as 1, 2, 3, Tow! 1. Get the truck within range. 2. Telescope and swivel the hitch into position. 3. Connect and then back up to lock into position. Tow!



Locked



Extended



Swiveled

The TeleSwivel® 300 hitch adapters are available for both receiver or bolt-on style truck bumpers, and can accommodate most trailer types.

Accessory Probe Options

“Dual Ball” Rise/Drop Probe

This adjustable height hitch comes with our standard dual ball configuration and a lunette (pintle) ring retainer to accommodate multiple style trailer connections. Parts are tethered for prevention of lost parts, and adjustments require no additional tools. For flexible needs, the TeleSwivel® 300 or TeleSwivel® 300B is the ideal solution for your fleet.

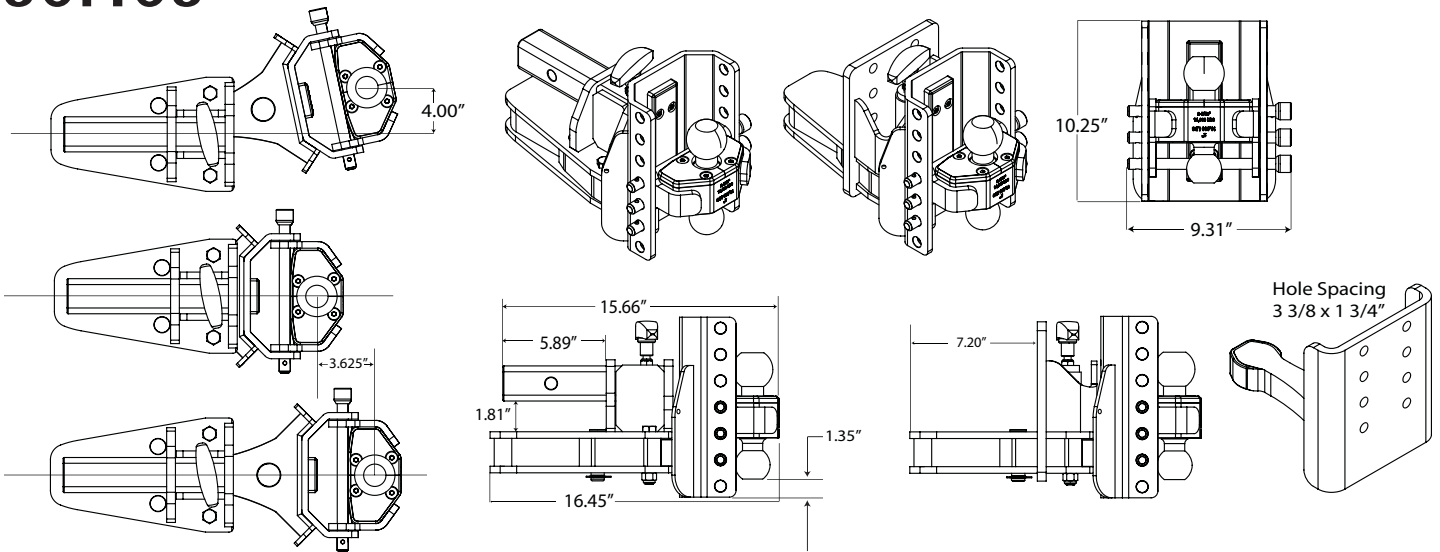
Accessory Plate Probe





The TeleSwivel® 300AP and 300BAP probes have a standard hole pattern to fit most bolt-on hitch accessories.

*See reverse side
for specific product
details.*

300 series

Specifications



Products	Max Ratings	Rise / Drop	Product Compatibility
 TeleSwivel® 300	14,000 lbs GTW 1,400 lbs tongue weight.	Probe reverses for adjustable rise drop over 10" range.	Fits into any 2" receiver, or a 2.5" receiver with adapter sleeve. Base configuration includes a 2" and 2 ⁵ / ₁₆ " dual ball and pintle ring (lunette) retainer with tool-free adjustments.
 TeleSwivel® 300 AP	14,000* lbs GTW 1,400 lbs tongue weight. *12,000 lbs GTW, 1,200 lbs tongue weight in lowest drop position.	Probe reverses for adjustable rise drop over 10" range.	Fits into any 2" receiver, or a 2.5" receiver with adapter sleeve. Plate will accommodate most bolt-on combination hitch accessories, with a hole pattern of 3 ³ / ₈ " across and 1 ³ / ₄ " down.
 TeleSwivel® 300 B	14,000 lbs GTW 1,400 lbs tongue weight.	Probe reverses for adjustable rise drop over 10" range.	Bolts directly onto bumper with a hole pattern of 3 ³ / ₈ " across and 1 ³ / ₄ " down. Base configuration includes a 2" and 2 ⁵ / ₁₆ " dual ball and pintle ring (lunette) retainer with tool-free adjustments.
 TeleSwivel® 300 BAP	14,000* lbs GTW 1,400 lbs tongue weight. *12,000 lbs GTW, 1,200 lbs tongue weight in lowest drop position.	Probe reverses for adjustable rise drop over 10" range.	Bolts directly onto bumper with a hole pattern of 3 ³ / ₈ " across and 1 ³ / ₄ " down. Plate will accommodate most bolt-on combination hitch accessories, with a hole pattern of 3 ³ / ₈ " across and 1 ³ / ₄ " down.